

## Data sheet for SIMOTICS S-1FK2

Article No. : 1FK2102-1AG11-0MA0



Figure similar

Client order no. :  
Order no. :  
Offer no. :  
Remarks :

Item no. :  
Consignment no. :  
Project :

### Basic motor data

Motor type	Permanent-magnet synchronous motor, Natural cooling, IP65
Motor type	High Dynamic
Static torque	0.32 Nm
Static current	0.8 A
Maximum torque	1.11 Nm
Maximum current	3.0 A
Maximum speed	8,000 rpm
Rotor moment of inertia	0.0400 kgcm <sup>2</sup>
Weight	0.9 kg

### Rated data

SINAMICS S210, 1AC 230V

Rated speed	3,000 rpm
Rated torque	0.32 Nm
Rated current	0.8 A
Rated power	0.10 kW

### Encoder system

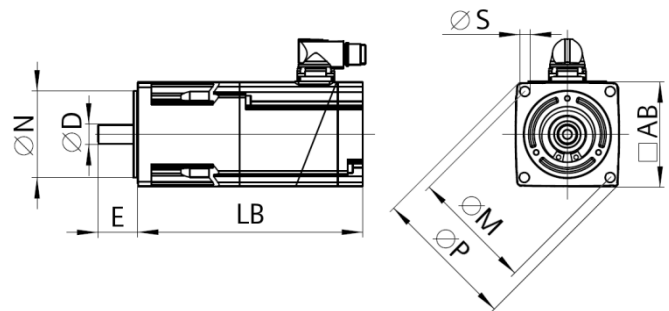
Encoder system	Encoder AM22DQC: Absolute encoder 22 bit + 12 bit multitrurn
----------------	--

### Motor connection

Connection type	OCC for S210
Connector size	M12

### Mechanical data

Design acc. to Code I	IM B5 (IM V1, IM V3)
Vibration severity grade	Grade A
Shaft height	20
Flange size (AB)	40 mm
Centering ring (N)	30 mm
Hole circle (M)	46 mm
Screw-on hole (S)	4.5 mm
Overall length (LB)	137 mm
Diameter of shaft (D)	8 mm
Length of shaft (E)	25 mm
Length of flange diagonal (P)	54 mm
Shaft end	Plain shaft
Color of the housing	Standard (Anthracite, similar to RAL 7016)



### Holding brake

Holding torque	0.32 Nm
Average dynamic torque	0.32 Nm
Opening time	25 ms
Closing time	20 ms
Maximum single switching energy <sup>1)</sup>	7.4 J
Service life, operating energy	1,750 J
Holding current <sup>2)</sup>	0.1 A
Break-induced current for 500 ms <sup>2)</sup>	0.6 A

<sup>1)</sup>Up to three consecutive emergency stops and up to 25% of all emergency stops as a Wmax high energy stop possible.

<sup>2)</sup>Typical value for 20°C ambient temperature. At -15°C the break-induced currents can be increased by up to 30%.