

Data sheet for SIMOTICS S-1FK2

Article No. : 1FK2203-4AG10-2MA0



Figure similar

Client order no. :
Order no. :
Offer no. :
Remarks :

Item no. :
Consignment no. :
Project :

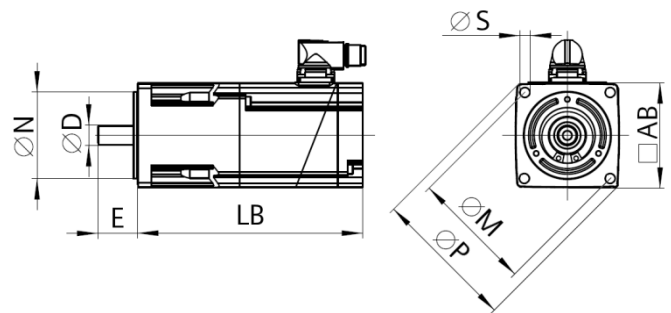
Basic motor data	
Motor type	Permanent-magnet synchronous motor, Natural cooling, IP64
Motor type	Compact
Static torque	1.27 Nm
Static current	2.5 A
Maximum torque	3.75 Nm
Maximum current	7.8 A
Maximum speed	7,800 rpm
Rotor moment of inertia	0.3700 kgcm ²
Weight	2.1 kg

Rated data	
SINAMICS S210, 1AC 230V	
Rated speed	3,000 rpm
Rated torque	1.27 Nm
Rated current	2.5 A
Rated power	0.40 kW

Encoder system	
Encoder system	Encoder AM22DQC: Absolute encoder 22 bit + 12 bit multiturn

Motor connection	
Connection type	OCC for S210
Connector size	M12

Mechanical data	
Design acc. to Code I	IM B5 (IM V1, IM V3)
Vibration severity grade	Grade A
Shaft height	30
Flange size (AB)	60 mm
Centering ring (N)	50 mm
Hole circle (M)	70 mm
Screw-on hole (S)	5.5 mm
Overall length (LB)	155 mm
Diameter of shaft (D)	11 mm
Length of shaft (E)	23 mm
Length of flange diagonal (P)	81 mm
Shaft extension	Plain shaft
Color of the housing	Standard (Anthracite, similar to RAL 7016)



Holding brake	
Holding torque	1.30 Nm
Average dynamic torque	1.30 Nm
Opening time	40 ms
Closing time	30 ms
Maximum single switching energy ¹⁾	62 J
Service life, operating energy	17,500 J
Holding current ²⁾	0.15 A
Break-induced current for 500 ms ²⁾	0.8 A

¹⁾Up to three consecutive emergency stops and up to 25% of all emergency stops as a Wmax high energy stop possible.

²⁾Typical value for 20°C ambient temperature. At -15°C the break-induced currents can be increased by up to 30%.